

-----

THIS DOCUMENT COULD CONTAIN TECHNICAL DATA, THE EXPORT OF WHICH IS RESTRICTED BY THE U.S. ARMS EXPORT CONTROL ACT (AECA) (TITLE 22, U.S.C. SEC 2751, ET SEQ.) OR THE EXPORT ADMINISTRATION ACT OF 1979, AS AMENDED (TITLE 50, U.S.C., APP. 2401, ET SEQ.). TECHNICAL DATA AUTHORIZED FOR EXPORT MAY NOT BE REEXPORTED, TRANSFERRED, OR DIVERTED FROM THE COUNTRY OF ULTIMATE END-USE OR FROM THE AUTHORIZED FOREIGN END-USER OR DISCLOSED TO A NATIONAL OF ANOTHER COUNTRY WITHOUT THE PRIOR WRITTEN APPROVAL OF THE OFFICE OF DEFENSE TRADE CONTROLS. TECHNICAL DATA CONTAINED IN THIS DOCUMENT HAS BEEN AUTHORIZED FOR EXPORT FROM THE UNITED STATES TO FOUR-EYES ALLIED PARTNERS, NATIONALS OF AUSTRALIA, CANADA, AND THE UNITED KINGDOM BY THE OFFICE OF DEFENSE TRADE CONTROLS, IN SO FAR AS INDIVIDUAL NATIONALITY IS NOT DIVERSE FROM HIS OR HER EMPLOYING AGENCY.

-----

# Coalition Working Group FPC 2008 Outbrief

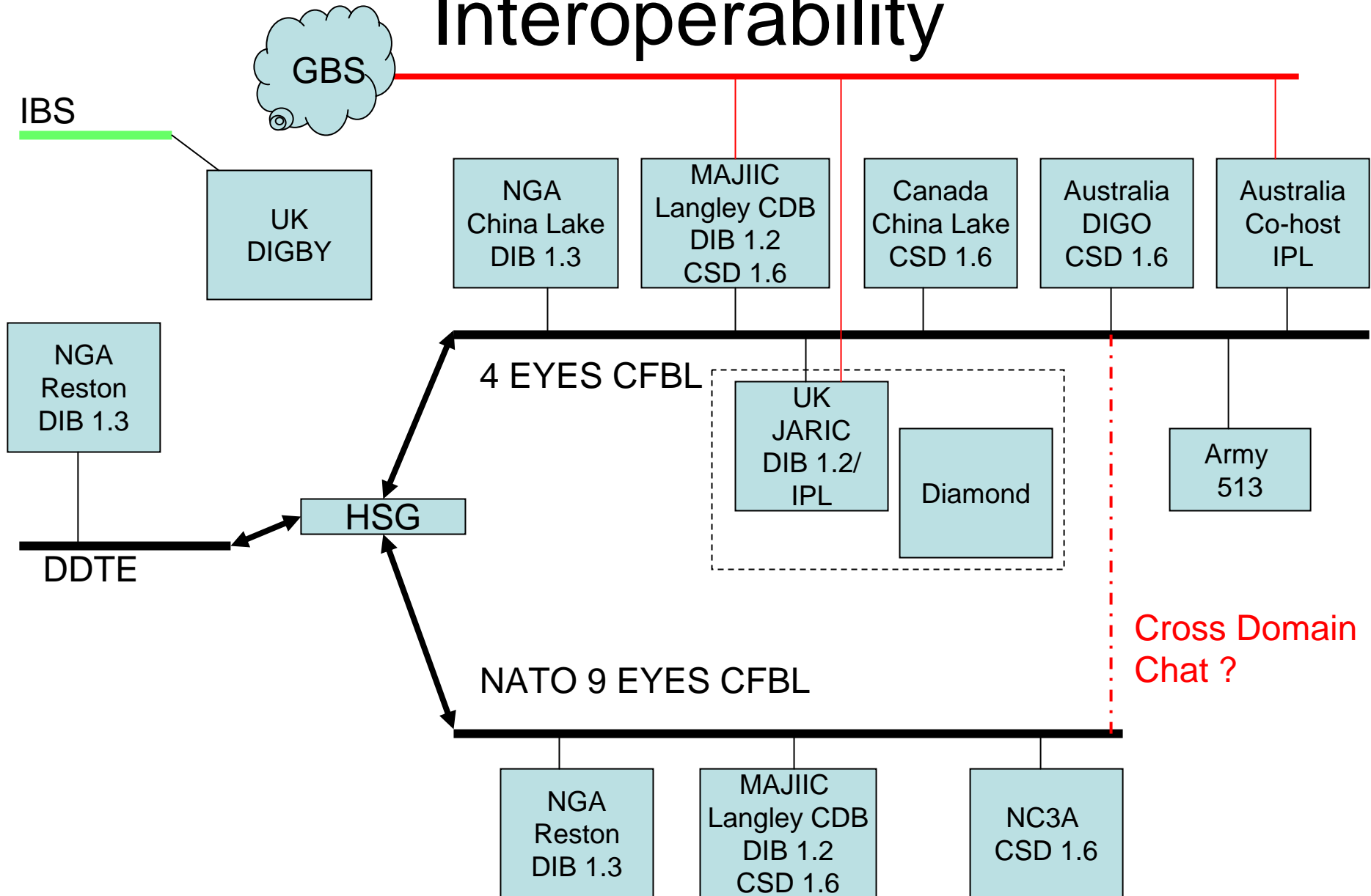
# Coalition WG Objectives

- Share (send and receive) standardized data between Coalition and DCGS partners within same network domains
- Share (send and receive) standardized data between Coalition and DCGS partners across different network domains point to point
- Seamless Coalition Enterprise Data sharing – Data from one domain to another and back via machine to machine collaboration
- Coalition and DCGS TPED interoperability for integrated operational cohesiveness (data, planning, collaboration (chat), execution)

# Coalition WG Accomplished

- Discussed Action Items from MPC
  - overcome technical issues to meet coalition objectives
- Discussed network topology
- Discussed types of data planned to pass through the High Speed Guard
- Discussed Spiral 2 and 3 POC's for each country
  - DIB and CSD testing
- Discussed “Releasability” of data
- Discussed proper data marking for releasability
- Discussed TPED

# Network Architecture For Coalition Interoperability



# EC08 Spiral Participation

System	System Type	EC08 Spiral 2 I&T	EC08 Spiral 3 I&T
US Langley MAJIC 4-eyes	CDB (CSD 1.6 /DIB 1.2 )	Partial Capability	Full Capability
US Langley MAJIC 9-eyes	CDB (CSD 1.6 /DIB 1.2 )	Partial Capability	Full Capability
Canada 4-eyes	CSD 1.6	No	Yes
UK 4-eyes	DIB 1.2 and Diamond	No	Yes
Australia 4-eyes	CSD 1.6	Yes	Yes
Army 513th 4-eyes	DCGS-A	No	Yes
NC3A MAJIC 9-eyes	CSD 1.6 and Exploitation systems	Depends on CFBL availability	Yes
NGA 4-eyes	DIB 1.3	Yes	Yes
NGA 9-eyes	DIB 1.3	Yes	Yes
NGA DDTE	DIB 1.3	Yes	Yes
China Lake	Networks	Yes	Yes
High Speed Guard		??	Yes

# Coalition Action Items

Item	Status/Remarks	Status at MPC	Status at FPC
Implementation of a Cross-domain collaboration capability	Currently no Cross Domain Collaboration solution available. Waiting on CDCIE as possible solution	Red	Red
Implementation of Cross-domain data sharing solution	Raytheon stated DIB 1.3 and Cross Domain Guard on schedule for capability	Red	Green
Implementation of DIB-to-DIB metadata harmonization capability through guard	Raytheon stated DIB 1.3 and Cross Domain Guard on schedule for capability	Red	Green
CM/CCIRM process	Investigating PRISM collection plan (CSV format) conversion to CXP (XML format)	Red	Yellow
Identify coalition PRISM training requirements	PRISM will be the collection requirements management application on the 4-eyes domain; email request forwarded on 2/14 asking for number of PRISM training seats by nation; GBR and CAN responded requesting two seats each; AUS decision pending.	Red	Yellow
Identify locations (CTF, CFACC, etc.) for coalition collection managers	JISRM TTP	Red	Green
Establish DIB Configuration Plan		Red	Green
ISR Data releasability (4-eyes)	Mr. Thorneloe briefed data marking. Mr. Swafford briefed sensor releasability.	Red	Yellow
ISR Data releasability (9-eyes +1)	Mr. Thorneloe briefed data marking. Mr. Swafford briefed sensor releasability.	Red	Yellow

Not a show stopper

# Coalition Issues Remaining

- Cross Domain Collaboration (Chat)
- PRISM collection plan converted to CXP
- Request ESG direct the implementation of the “Thorneloe Plan” (EC08 data marking standard)